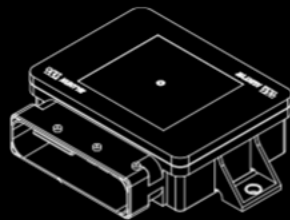


ESPb LAYOUT

CONTROLLER



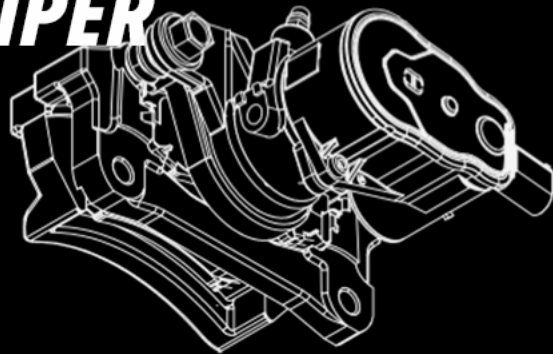
ACCESSORIES

+POWER
-EARTH

CONTROL SWITCH

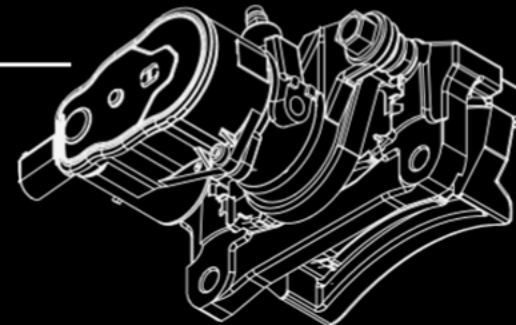


LEFT BRAKE CALIPER



WIRING HARNESS

RIGHT BRAKE CALIPER



ESP B

FEATURES & BENEFITS

